

412-440 MHz(center 433MHz)1/4wave 2 dBi ROOF SCREW+RG174(3M)+SMA PLUG

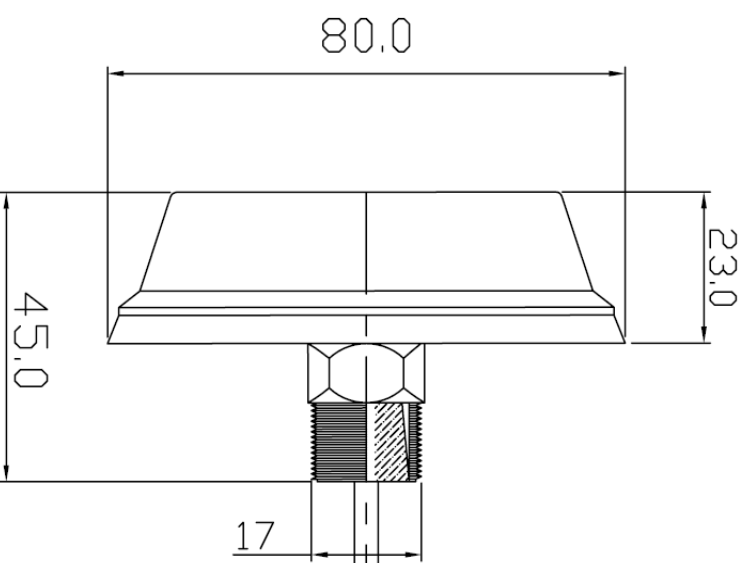


Specifications/Special Features :

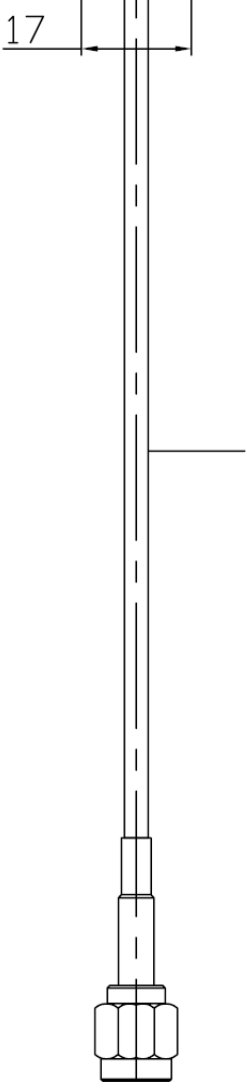
This antenna is designed for 412-440MHz wireless Communications

Specification	
Model No.	20-0006COP4-B3
Operating Frequency	412-440 MHz(center 433MHz)
Antenna Type	Roof Screw Mount
Antenna Color	Black
VSWR	412-440 MHz <2.0 (center 433MHz <1.5)
Polarization	Linear Vertical
Temperature	-40 to +85 °C
Humidity	40% to 95% RH
Connector Options	SMA MALE (Option)
Cable: RG-174	Length=3M (Option)
Cable Color	Black
Dimension	L45xW80xH45mm

412-440 MHz(center 433MHz)1/4wave 2 dBi ROOF SCREW+RG174(3M)+SMA PLUG

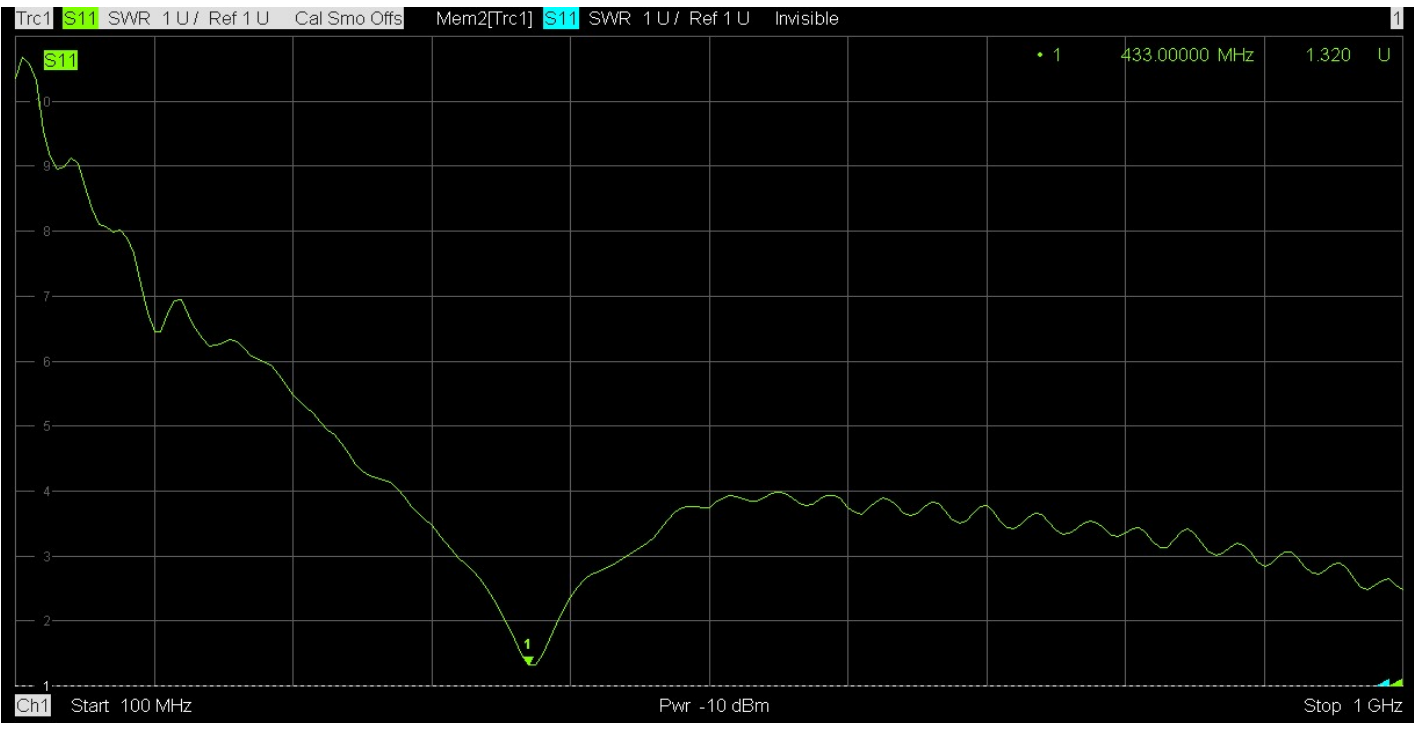
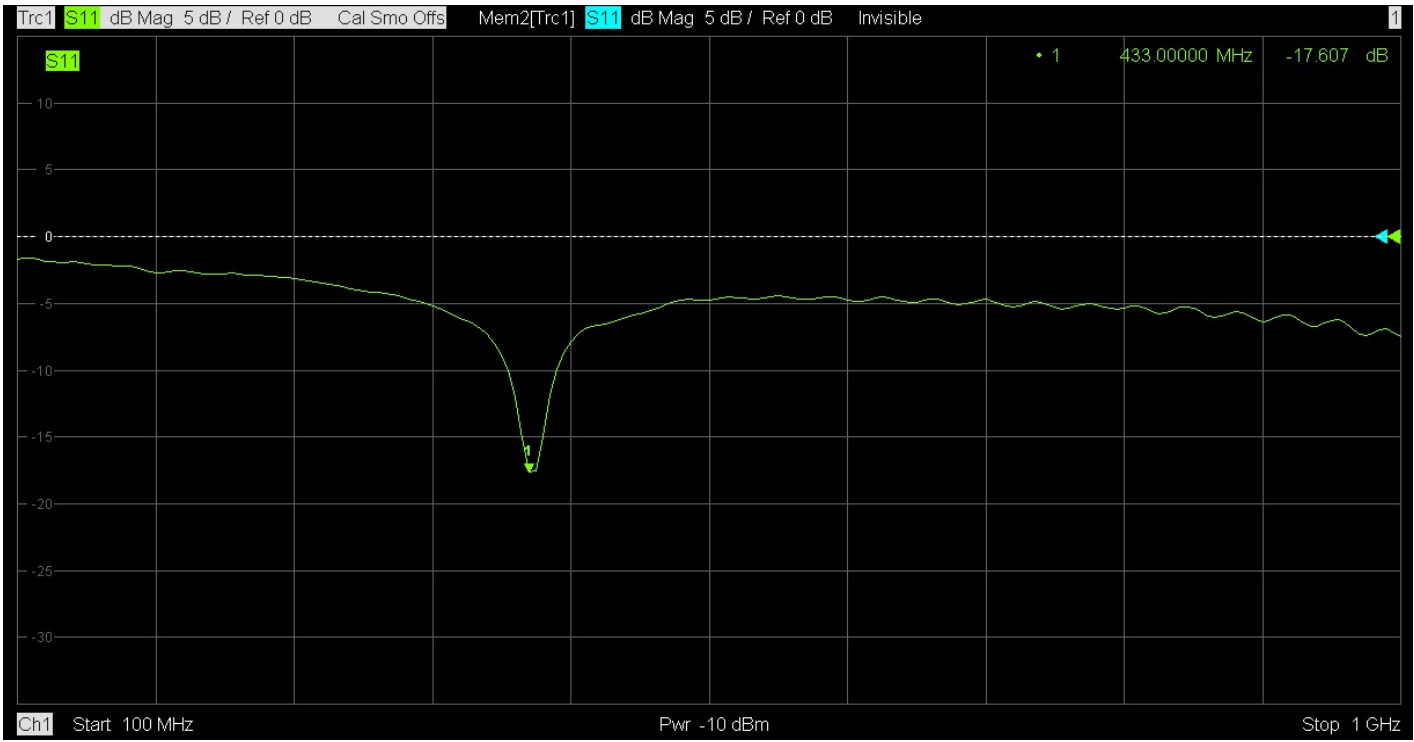


CABLE:RG174 Length=3M (Option)

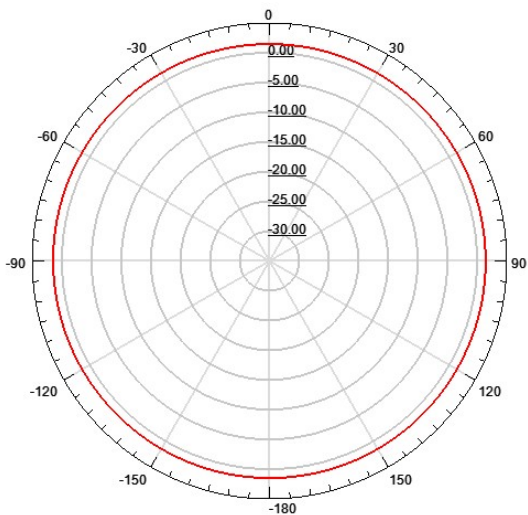


SMA PLUG (Option)

1	FREQUENCY : 412-440 MHz	6	IMPEDANCE : 50 Ω
2	GAIN : 2dBi	7	
3	V.S.W.R : 412-440MHz <2.0 (center 433MHz <1.5)	8	
4	CABLE LENGTH : RG174 L=3M (Option)	9	
5	CONNECTOR : SMA PLUG (Option)	10	



H-PLANE



E-PLANE

